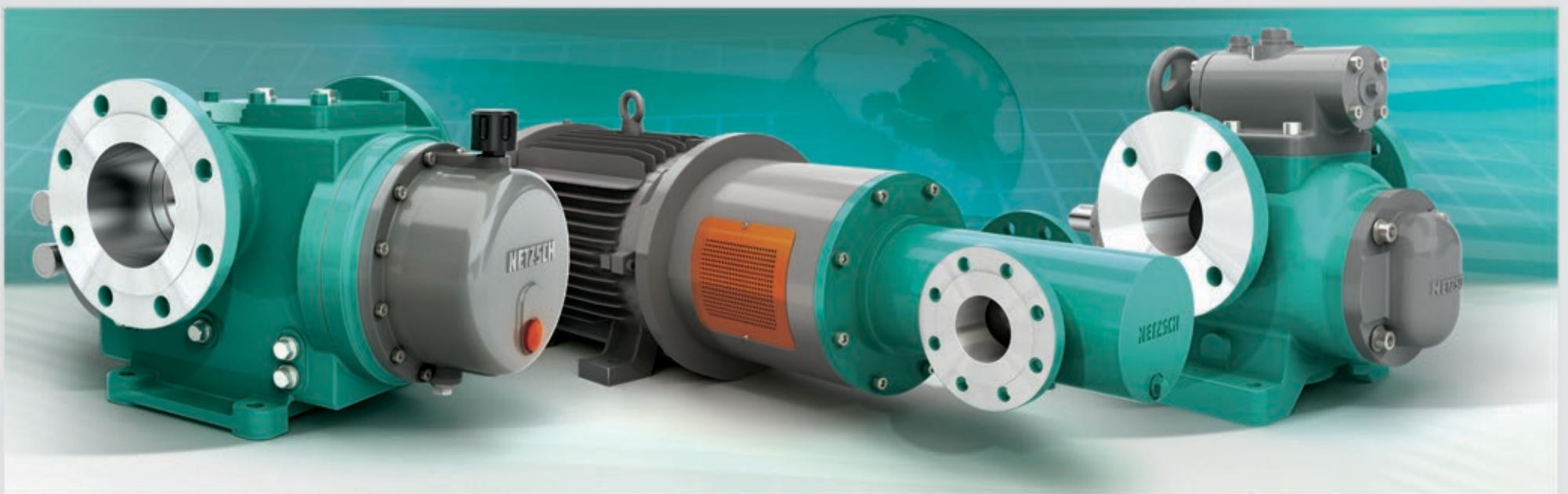


Pumps & Systems

NOTOS® Multi Screw Pumps

Robust and Innovative

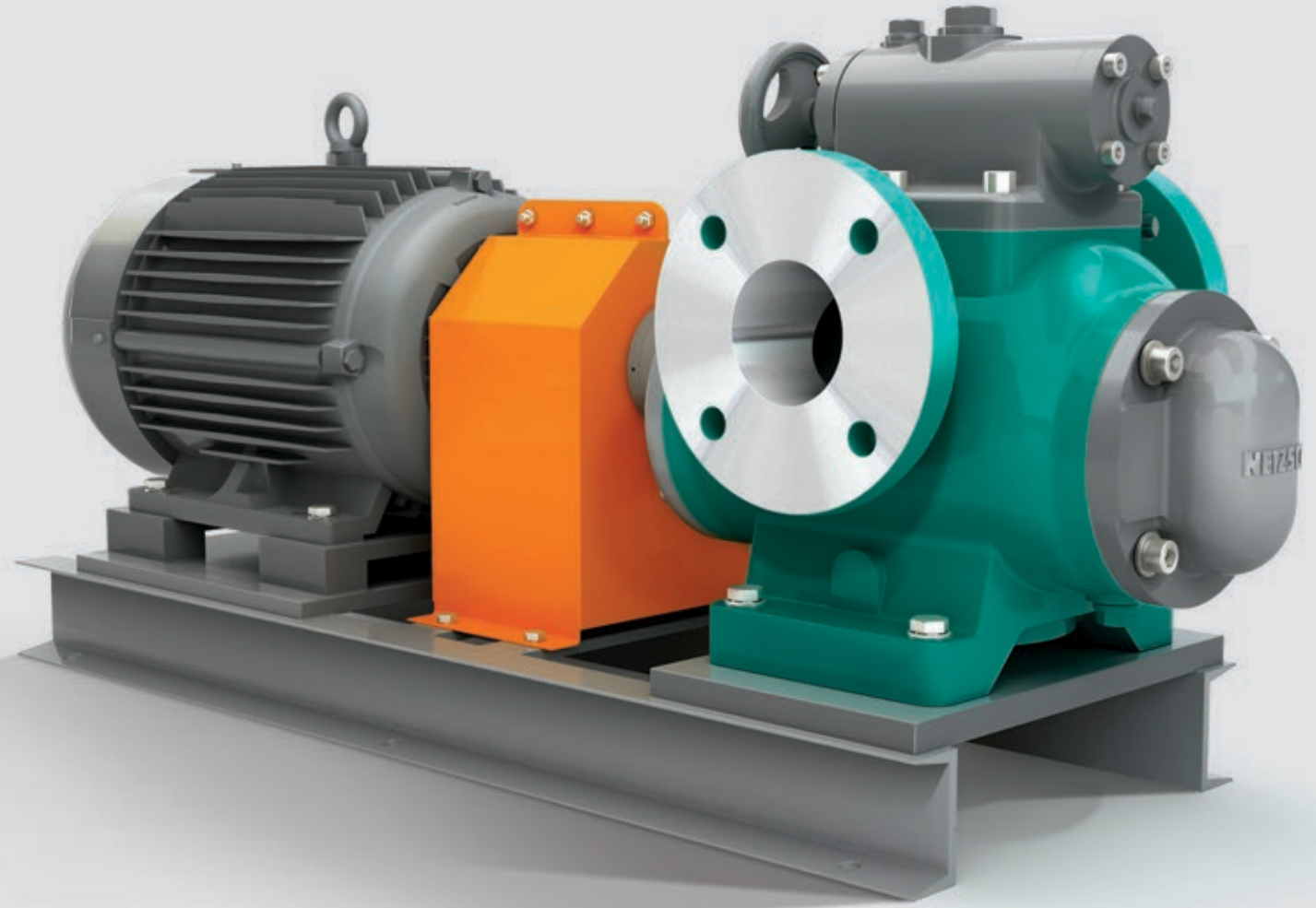


NETZSCH Pumps & Systems – Solutions you can trust. ■

NOTOS® Multi Screw Pumps Since 1979

2NS Series

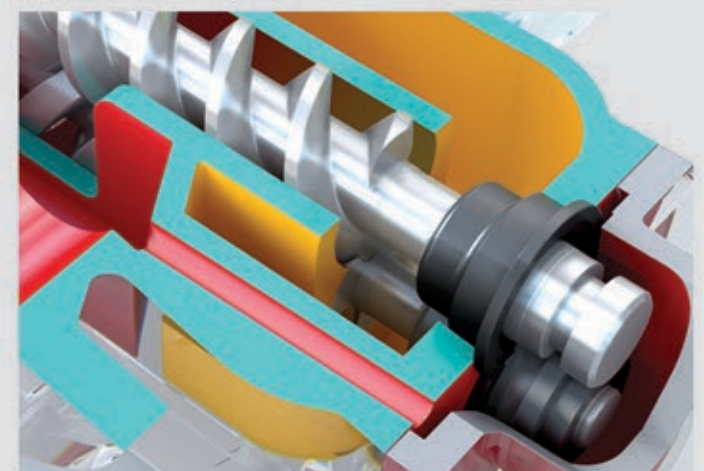
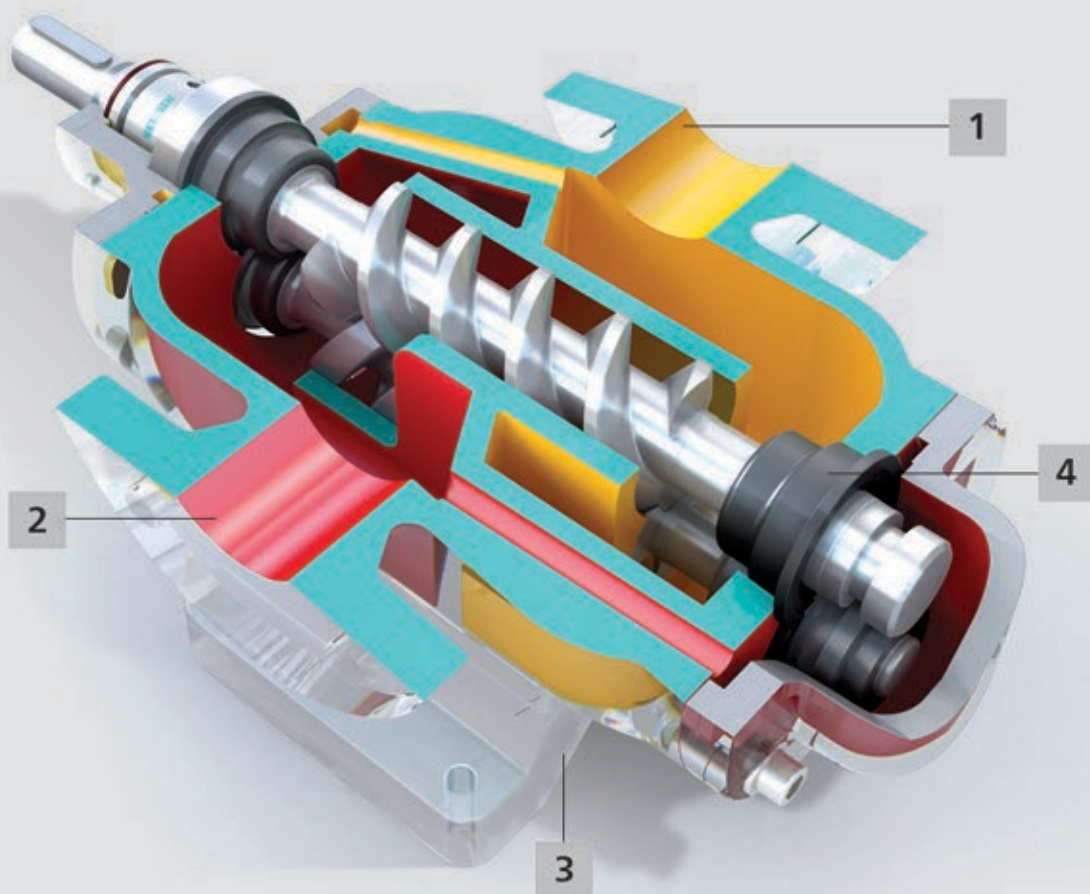
NETZSCH Two Screw Pumps have a drive screw intermeshing with a driven screw, transferring torque from one screw to the other.



- Flow up to 500 m³/h (2200 gpm)
- Pressure up to 16 bar (230 psi)
- Temperature up to 300° C (570° F)
- Viscosity up to 12.000 cSt

Advantages

- Hydraulically balanced
- Low noise operation
- Long lifetime in service
- Low pulsation
- High Efficiency Unique Design
- Comply with API 676



The hydraulic balance is the main reason for the long life cycle of this pump.

1 Flanges

DIN, ANSI or SAE connections available.

2 Accessories

Optional built-in relief valve.
Optional heating.
Optional API 682 mechanical seal.

3 Configurations

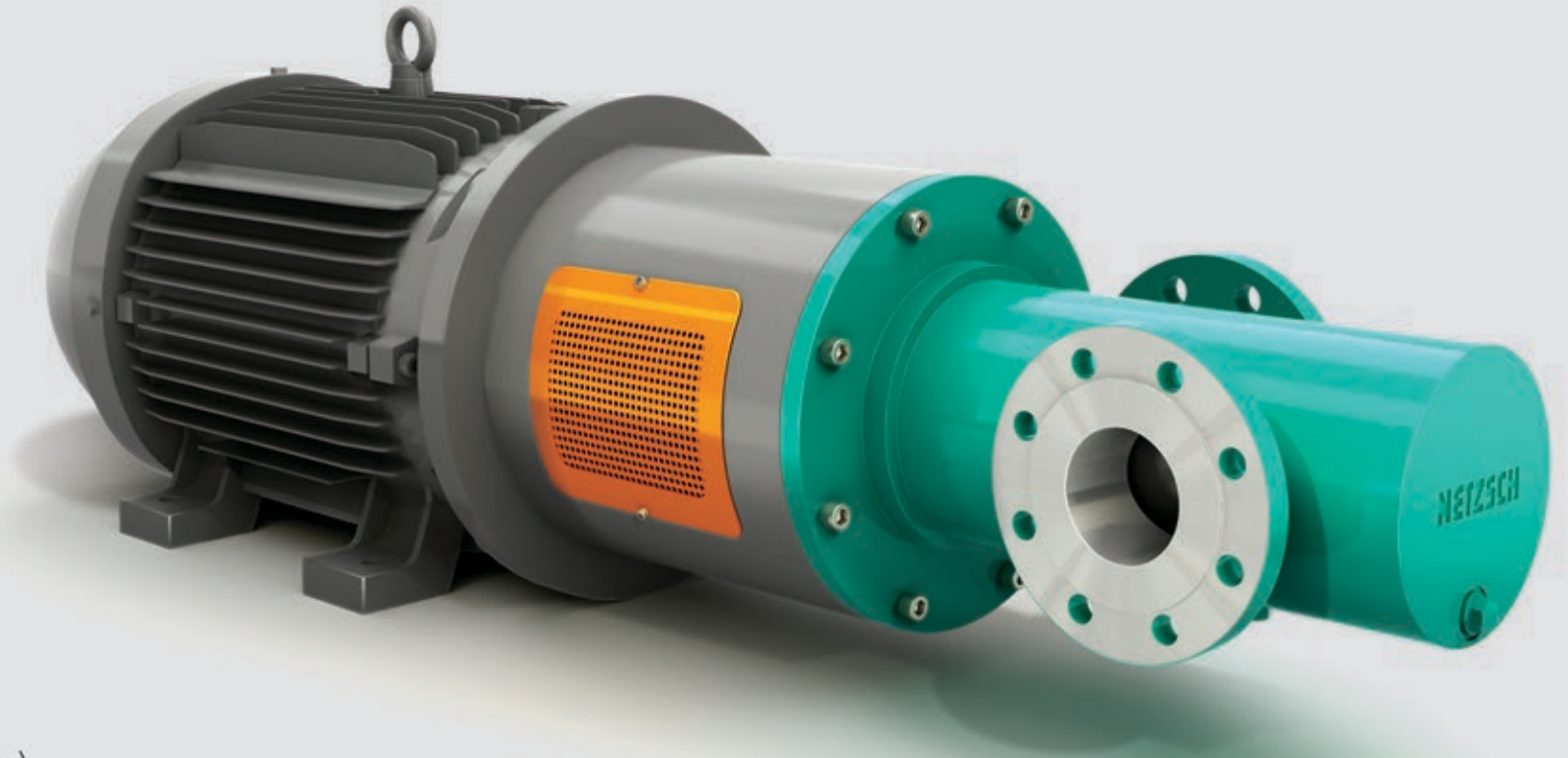
Foot mounted, pedestal mounted, semi-submersible or flange mounted.

4 Bearing Bushing

Internal bearing bushing helps to support radial loads.

3NS Series

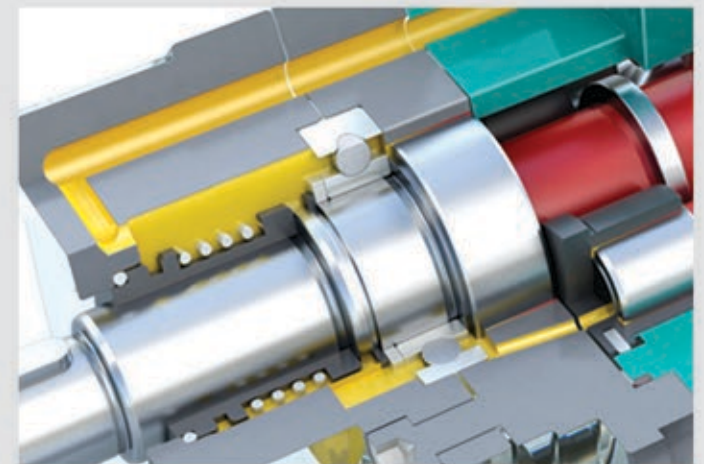
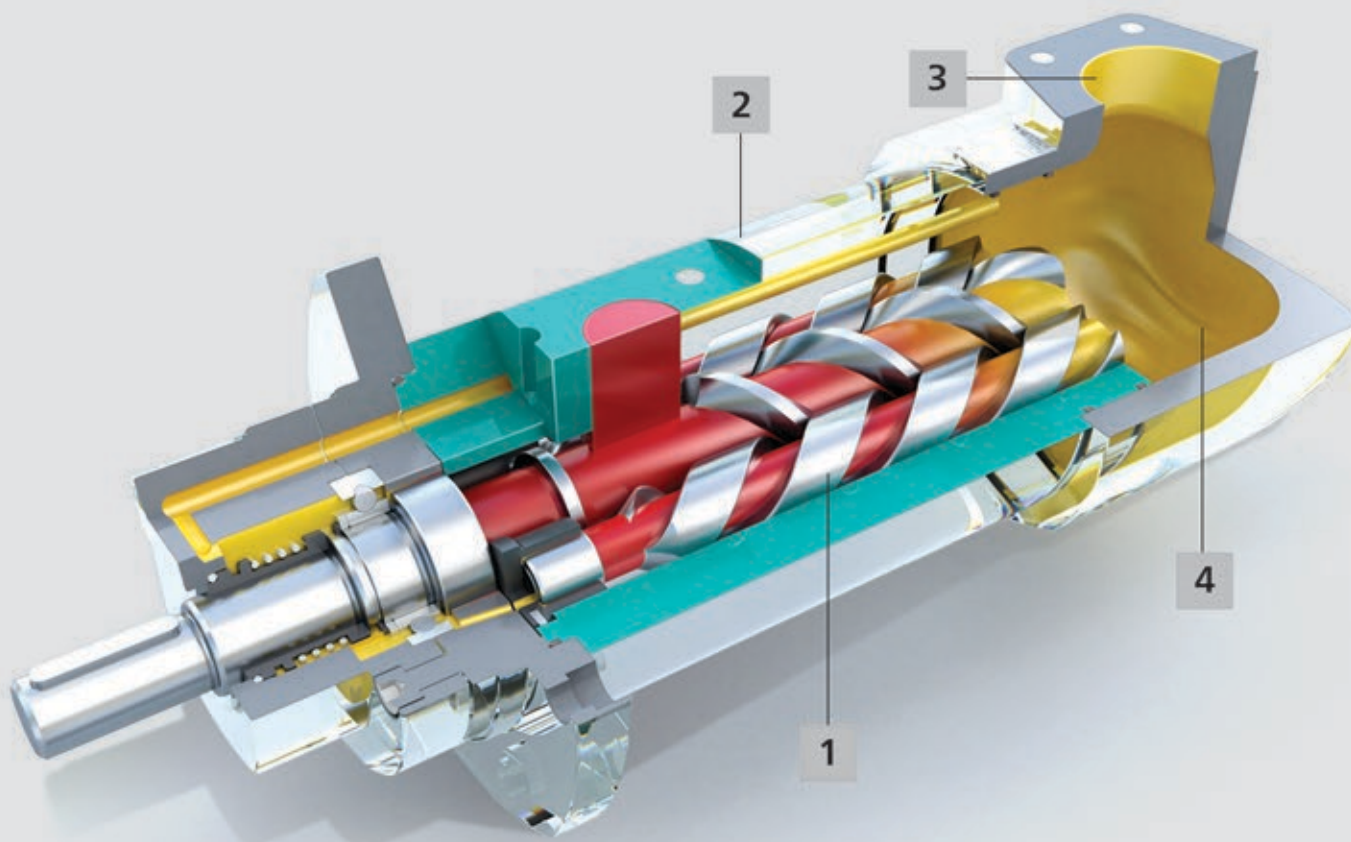
NETZSCH Three Screw Pumps have one drive screw intermeshing with two driven screws, transferring torque from one screw to the others.



- Flow up to 200 m³/h (880 gpm)
- Pressure up to 80 bar (1160 psi)
- Temperature up to 300° C (570° F)
- Viscosity up to 10.000 cSt

Advantages

- High Efficiency Unique Design
- Easy maintenance
- Lightweight and small footprint
- Low pulsation
- Comply with API 676



The pump is axially balanced due to the bushing and NETZSCH High Efficiency Unique Design (HEUD).

1 High Efficiency

Due to the NETZSCH High Efficiency Unique Design (HEUD), the volumetric efficiency is extremely high.

2 Configurations

Foot mounted, housing, light, flanged, vertical and semi-submersible.

3 Flange Options

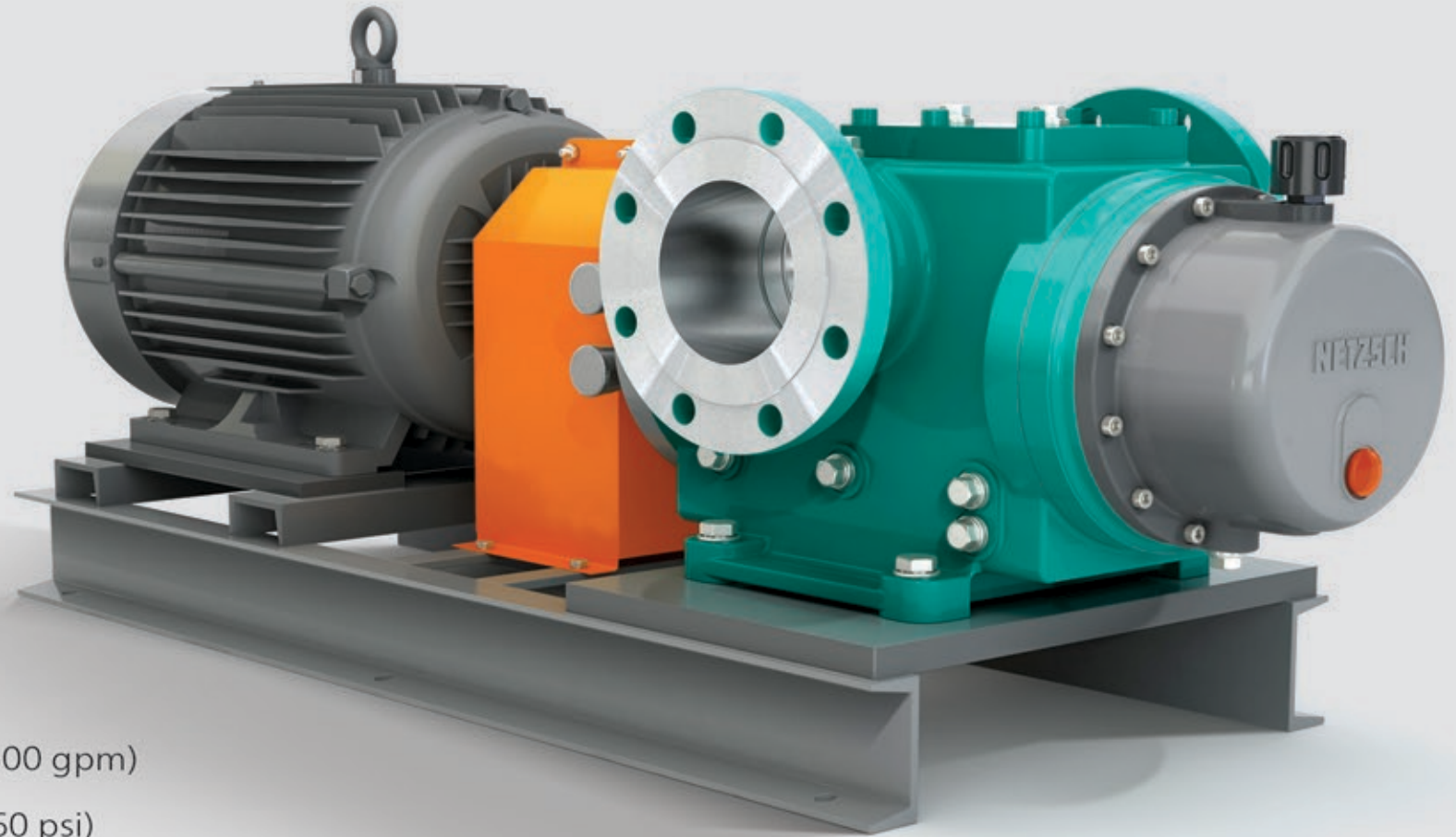
DIN, ANSI and SAE ports in-line or other options available.

4 Self Priming

Able to prime up to 8m either vertically or horizontally mounted.

4NS Series

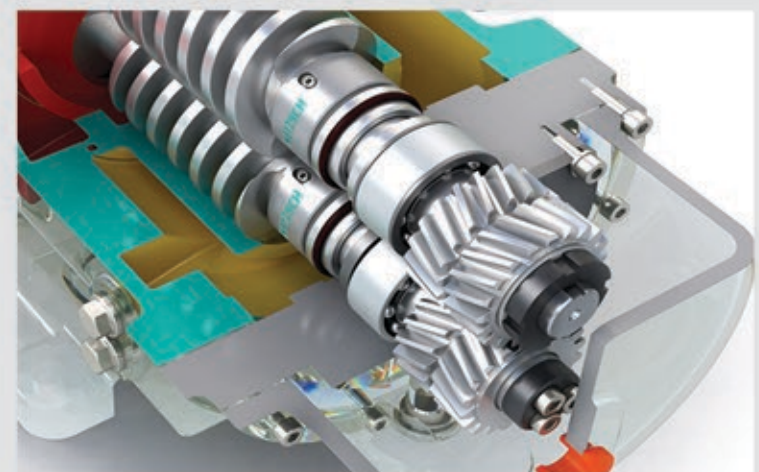
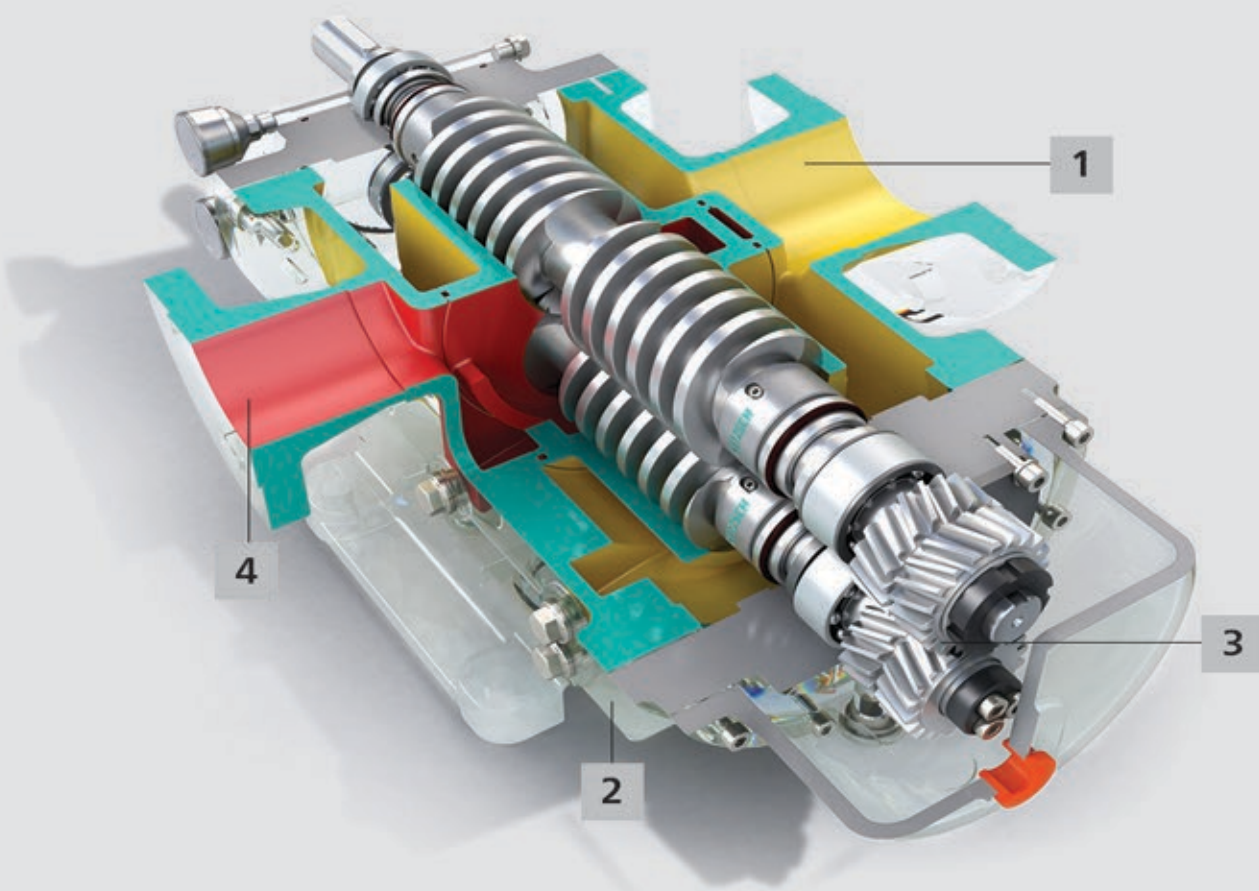
NETZSCH Four Screw Pumps (Geared Twin Screw Pumps) have two shafts with four screws rotating inside a cartridge with timing gears. No contact metal against metal.



- Flow up to 1500 m³/h (6600 gpm)
- Pressure up to 80 bar (1160 psi)
- Temperature up to 300°C (570° F)
- Viscosity up to 50.000 cSt

Advantages

- There is no metal to metal contact
- Comply with API 676
- Small footprint
- Long lifetime in service
- High Efficiency Unique Design



The helical timing gears transfer the torque from one screw to the other with reduced noise.

1 Flanges

DIN, ANSI or SAE available. Vertical flanges upon request.

2 Configurations

Vertical, horizontal, in-line or top discharge available.

3 Timing Gears

Helical timing gears transfer the torque, reducing vibration and noise.

4 Accessories

Optional built-in relief valve. Optional heating. Optional API 682 mechanical seal.

APPLICATIONS



- Onshore & Offshore crude oil
- Fuel oil
- Diesel
- Asphalt
- Bitumen
- HFO and LFO
- Water-oil emulsions
- Dark oil
- Parafine
- BPF
- Petroleum asphalt cement (PAC)
- Bunker
- Produced water
- Gasoil



- Load and unload
- Main engine fuel feed
- Propeller shaft bearings lubrication
- Main engine sealing lubrication
- Gearbox lubrication
- Power generator pump (diesel)
- Lubrication and pre-lubrication
- Fuel oil
- Anchor system
- Cargo pump
- Stripping pump
- Bunkering



- Turbine bearing lubrication
- Wind generator bearing lubrication
- Boiler fuel feeding
- Turbine propeller angle adjustment system
- Bearing lubrication system
- Load and unload pump
- HFO, LFO, FO for Thermal Power Plants



- Polyol
- Grease
- Emulsions
- Molasses
- Palm oil
- Eva emulsion
- Resins
- Polymers
- Hydraulic oil
- Vegetable oil
- Fried oil
- Fish oil
- Mineral oil
- API54 mechanical seal plan pump
- Isocyanate
- Fuel feed cement oven

NETZSCH

The NETZSCH Group is a mid-sized, family-owned German company engaging in the manufacture of machinery and instrumentation with worldwide production, sales, and service branches.

The three Business Units – Analyzing & Testing, Grinding & Dispersing and Pumps & Systems – provide tailored solutions for highest-level needs. Over 3,000 employees at 210 sales and production centers in 35 countries across the globe guarantee that expert service is never far from our customers.

The NETZSCH Business Unit Pumps & Systems offers with NEMO® progressing cavity pumps, TORNADO® rotary lobe pumps, screw pumps, macerators/grinders, dosing technology and equipment custom built and challenging solutions for different applications on a global basis.

NETZSCH do Brasil Ind. e Com. Ltda.
Rua Hermann Weege, 2383
BR - 89.107 - 000 Pomerode / SC
Fone: 55 (47) 3387 8222
Fax: 55 (47) 3387 8400

E-mail: info.ndb@netsch.com
www.netsch.com.br

NETZSCH®

www.netsch.com.br